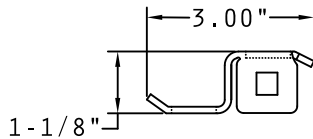
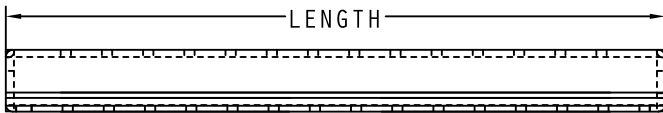
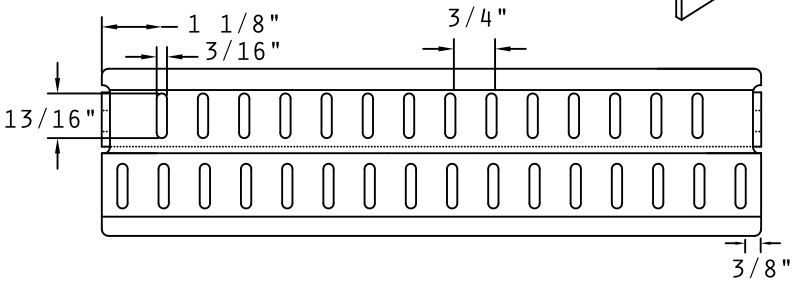
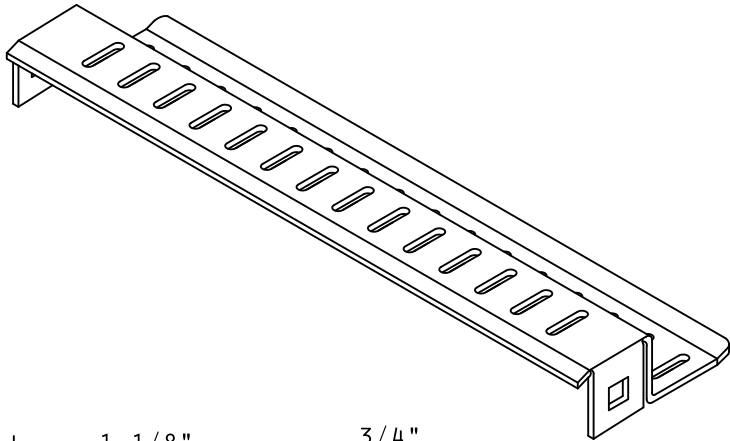


# OVER/UNDER CROSSTIER WITH TABS

DESIGNED FOR FULL SURFACE CONTACT  
WITH CABLE ON ELEVATION CHANGES.



AVAILABLE IN 12", 17", AND 2" INCREMENTS FROM 18" TO 38"

STEEL

30USW-12 - 30USW-38